

SURE49
OUTLINE DIMENSIONS

REV. DRAWING NUMBER

C

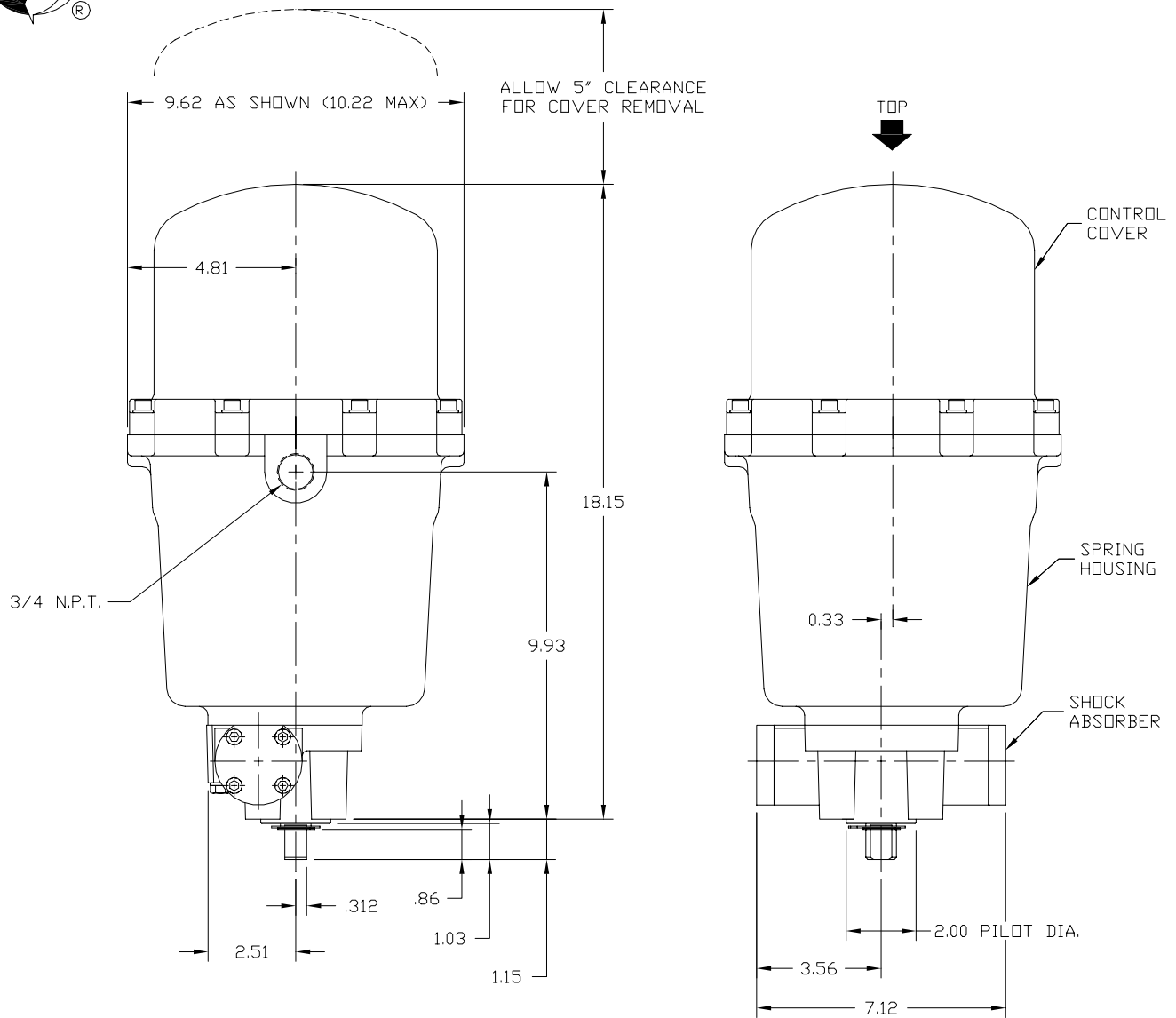
90-675



RCS Texsteam
HOUSTON, TEXAS

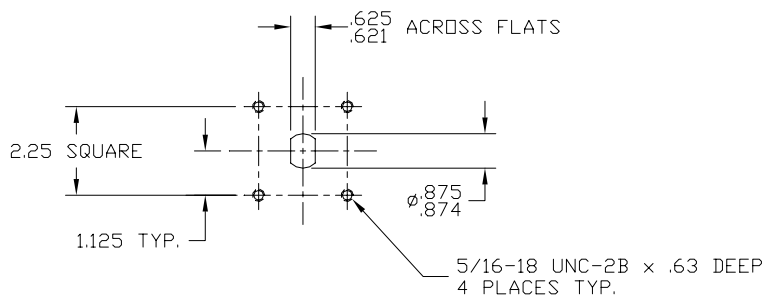


DRAWINGS, SPECIFICATIONS AND
ENGINEERING DATA CONTAINED IN THIS
DOCUMENT SUBJECT TO CHANGE WITHOUT
NOTICE.



MOUNTING GEOMETRY -- BOTTOM VIEW

NOTES



1. DIRECTION OF ROTATION IS BASED ON VIEWING ACTUATOR FROM TOP.
2. ACTUATOR SHOWN IN POWER FAIL POSITION.