

MAR1600-70, MAR4000-125 AND MAR4000-170
DIMENSIONAL DRAWING

REV. DRAWING NUMBER

E

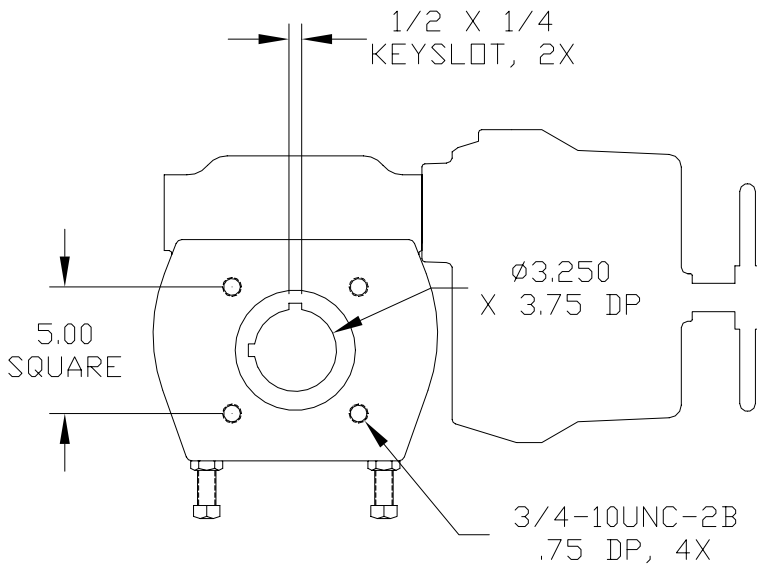
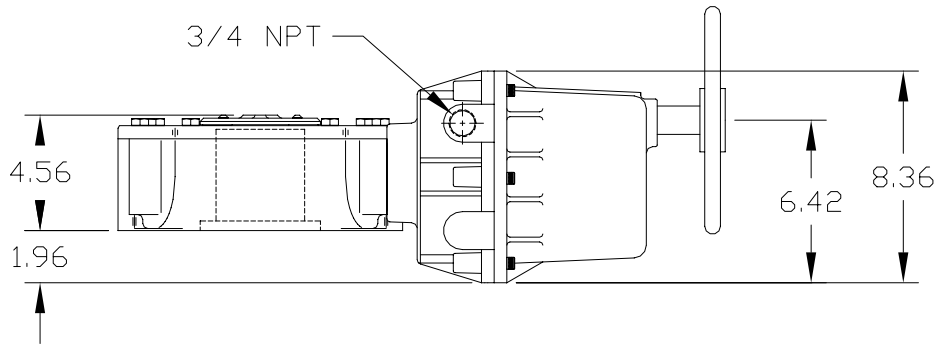
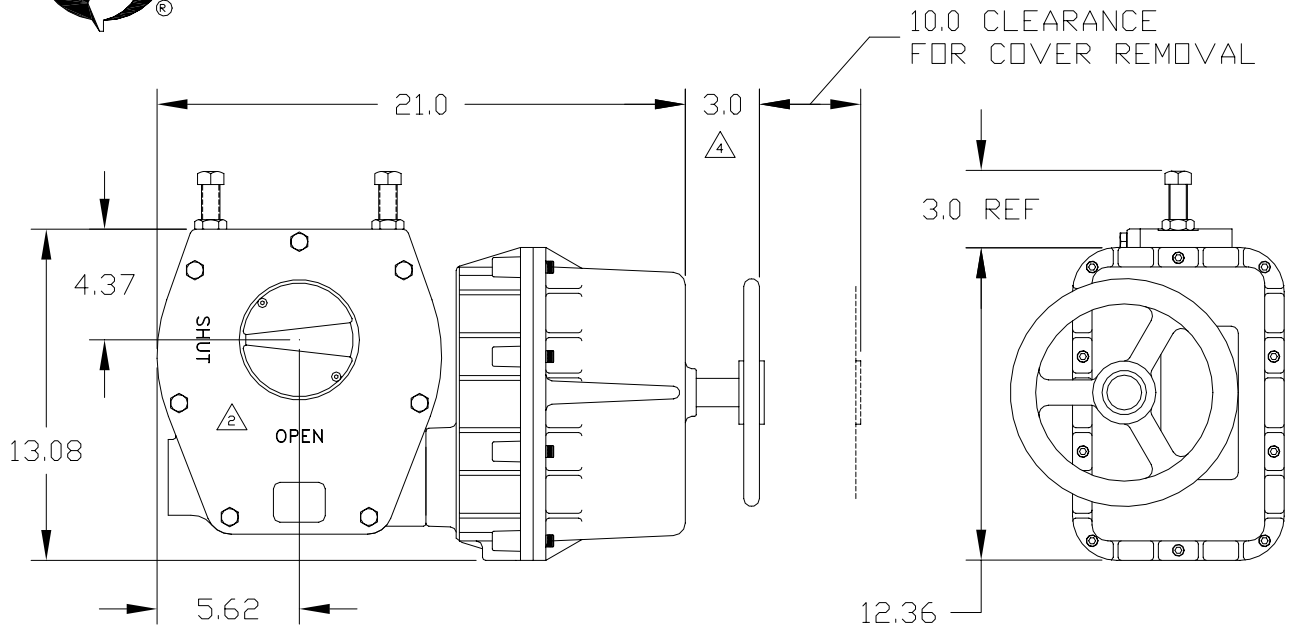
90-601



Texsteam
HOUSTON, TEXAS

DRESSER VALVE DIVISION
Dresser Equipment Group, Inc.
a Halliburton Company

DRAWINGS, SPECIFICATIONS AND
ENGINEERING DATA CONTAINED IN THIS
DOCUMENT SUBJECT TO CHANGE WITHOUT
NOTICE.



NOTES

1. DRAWING SHOWS THE ACTUATOR
OUTPUT SHAFT IN A FULLY
CLOCKWISE (CLOSED) POSITION.

△ DIRECTION OF ACTUATOR
ROTATION
IS BASED ON THE TOP VIEW OF
THE EXTERNAL GEARBOX.

3. A NEMA 4 CONTROL COVER IS
SHOWN. DIMENSIONS GIVEN ARE
ACCURATE FOR NEMA 4/6/7.

△ ACTUATOR IS SHOWN WITH
HANDWHEEL IN AUTO POSITION.
HEIGHT IS 2.4 WHEN MANUAL
OVERRIDE IS USED.