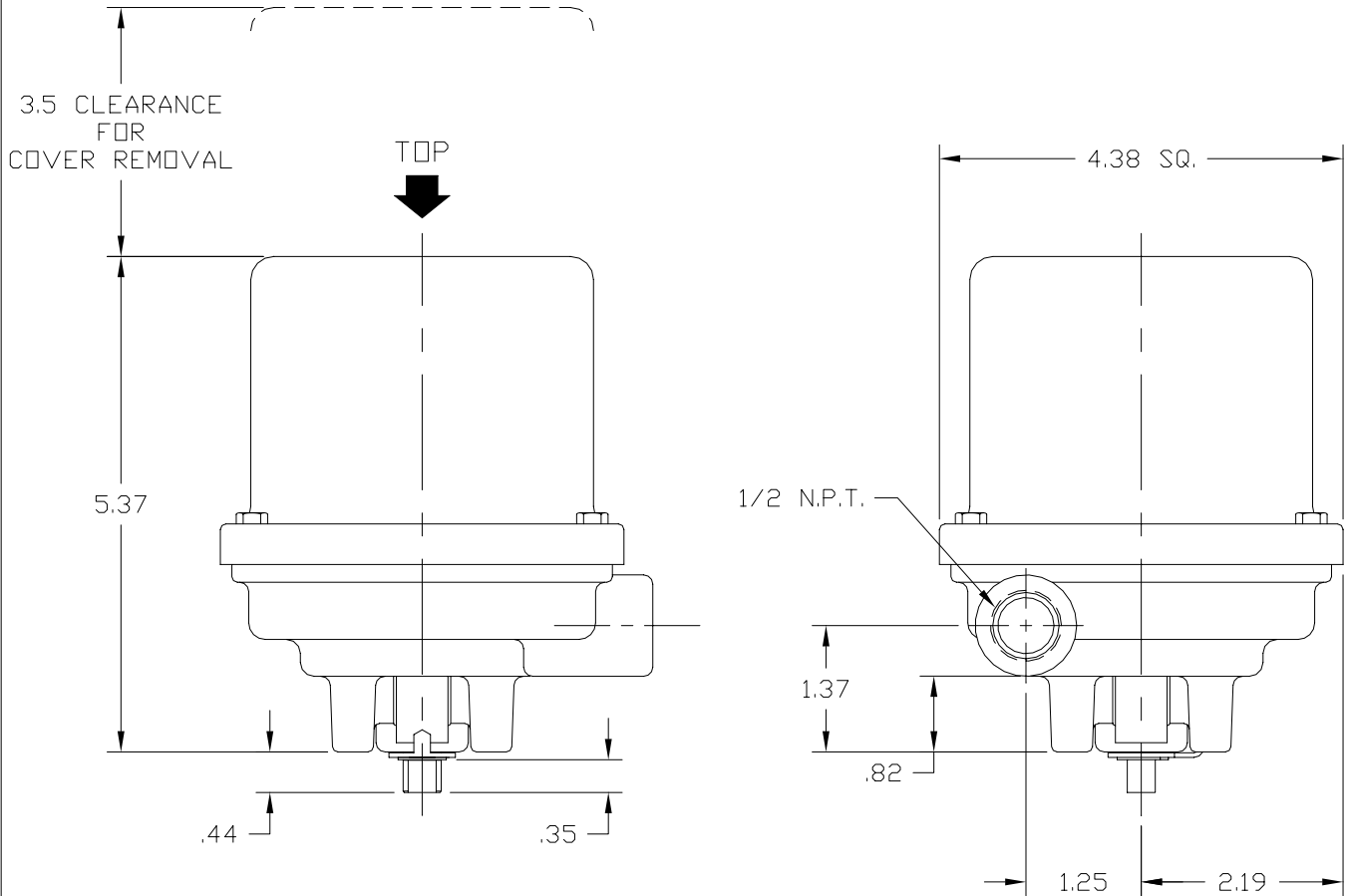


MA8 & MAR8
OUTLINE DIMENSIONS

REV. DRAWING NUMBER
D 90-598

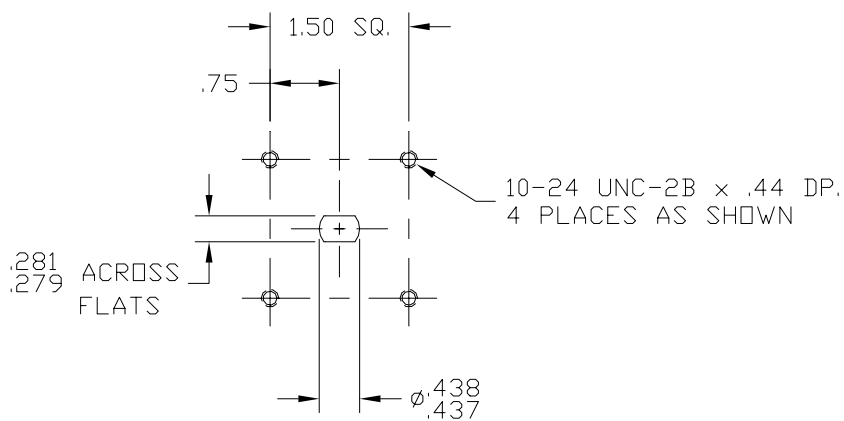


DRAWINGS, SPECIFICATIONS AND
ENGINEERING DATA CONTAINED IN THIS
DOCUMENT SUBJECT TO CHANGE WITHOUT
NOTICE.



MOUNTING GEOMETRY -- BOTTOM VIEW

NOTES



1. DIRECTION OF ROTATION IS BASED ON VIEWING ACTUATOR FROM TOP.
2. DRAWING SHOWS ACTUATOR OUTPUT SHAFT IN A FULLY CLOCKWISE (CLOSED) POSITION.