

MAR 800 & DCR 800  
OUTLINE DIMENSIONS

REV. DRAWING NUMBER

A

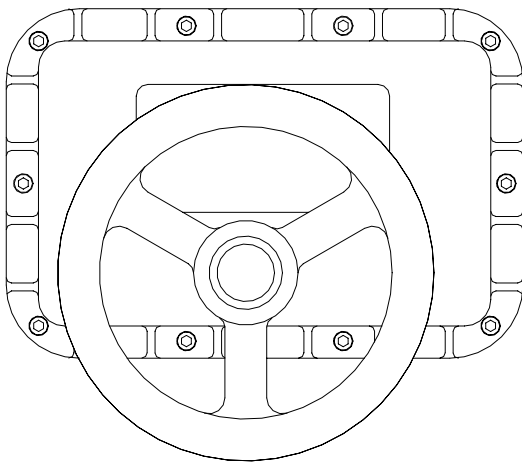
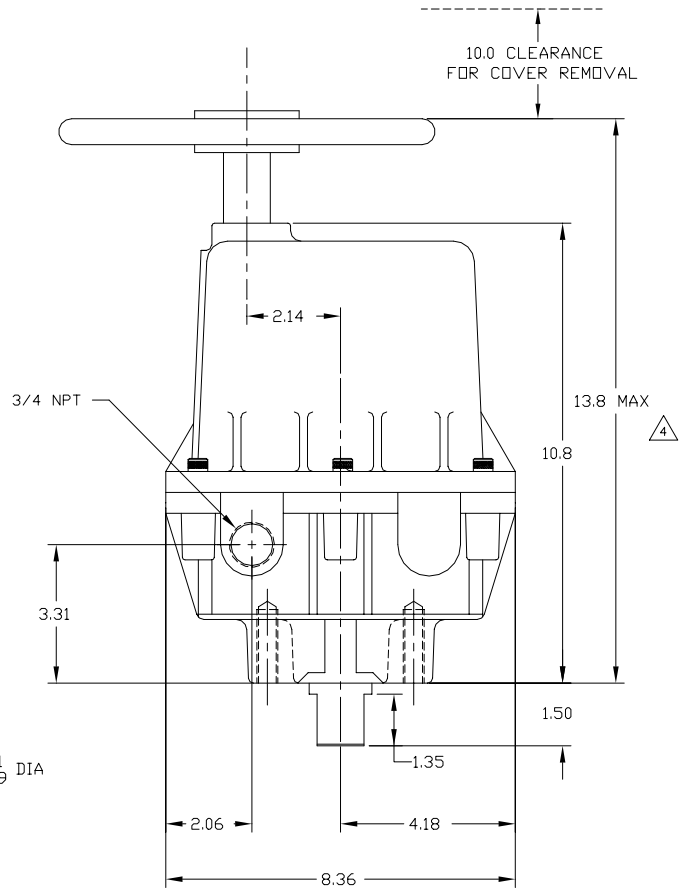
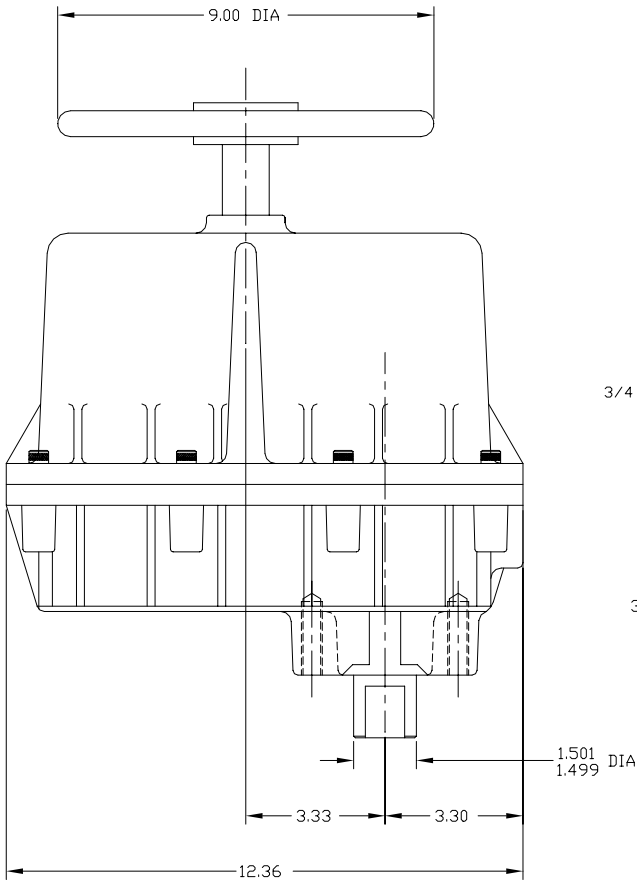
90-856



**RCS** Texsteam  
HOUSTON, TEXAS



DRAWINGS, SPECIFICATIONS AND  
ENGINEERING DATA CONTAINED IN THIS  
DOCUMENT SUBJECT TO CHANGE WITHOUT  
NOTICE.



NOTES

1. DRAWING SHOWS THE ACTUATOR OUTPUT SHAFT IN A FULLY CLOCKWISE (CLOSED) POSITION.
2. DIRECTION OF ACTUATOR ROTATION IS BASED ON THE TOP VIEW FROM THE HANDWHEEL.
3. A NEMA 4 CONTROL COVER IS SHOWN. DIMENSIONS GIVEN ARE ACCURATE FOR NEMA 7.

△ ACTUATOR IS SHOWN WITH HANDWHEEL IN AUTO POSITION. HEIGHT IS 13.3 WHEN MANUAL OVERRIDE IS USED.

MOUNTING GEOMETRY

