

MAR8RH & DCR8RH
OUTLINE DIMENSIONS

REV. DRAWING NUMBER

A

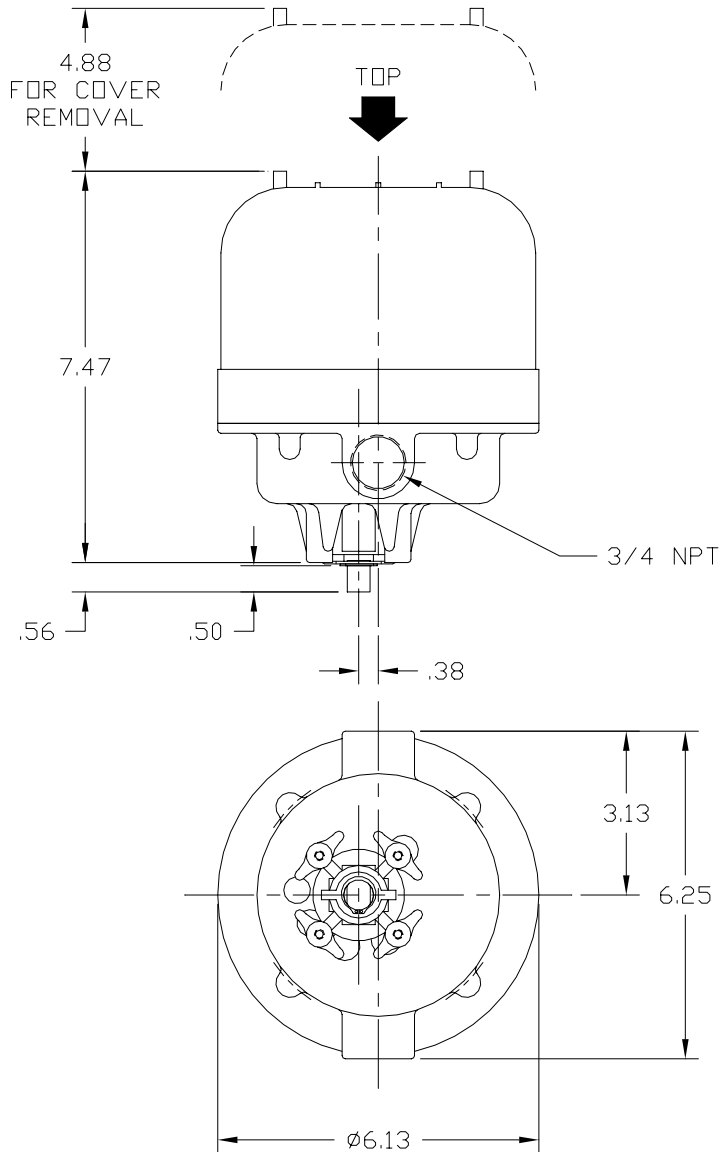
90-804



RCS Texsteam
HOUSTON, TEXAS

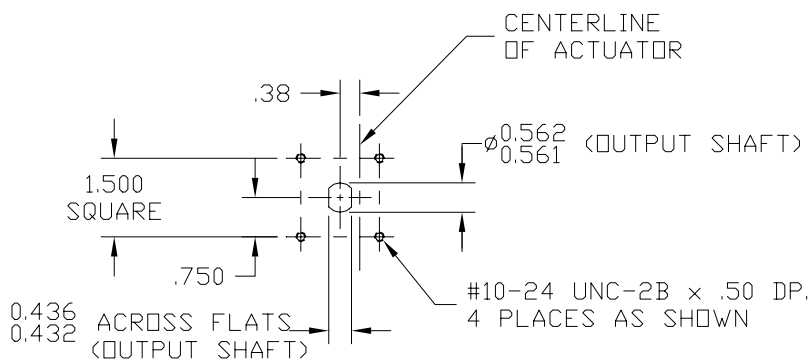


DRAWINGS, SPECIFICATIONS AND
ENGINEERING DATA CONTAINED IN THIS
DOCUMENT SUBJECT TO CHANGE WITHOUT
NOTICE.



MOUNTING GEOMETRY -- BOTTOM VIEW

NOTES



1. DIRECTION OF ROTATION IS BASED ON VIEWING ACTUATOR FROM TOP.
2. DRAWING SHOWS OUTPUT SHAFT IN A FULLY CLOCKWISE (CLOSED) POSITION.