

MAR & DCR 10, 50 & 90  
OUTLINE DIMENSIONS

REV. DRAWING NUMBER

B

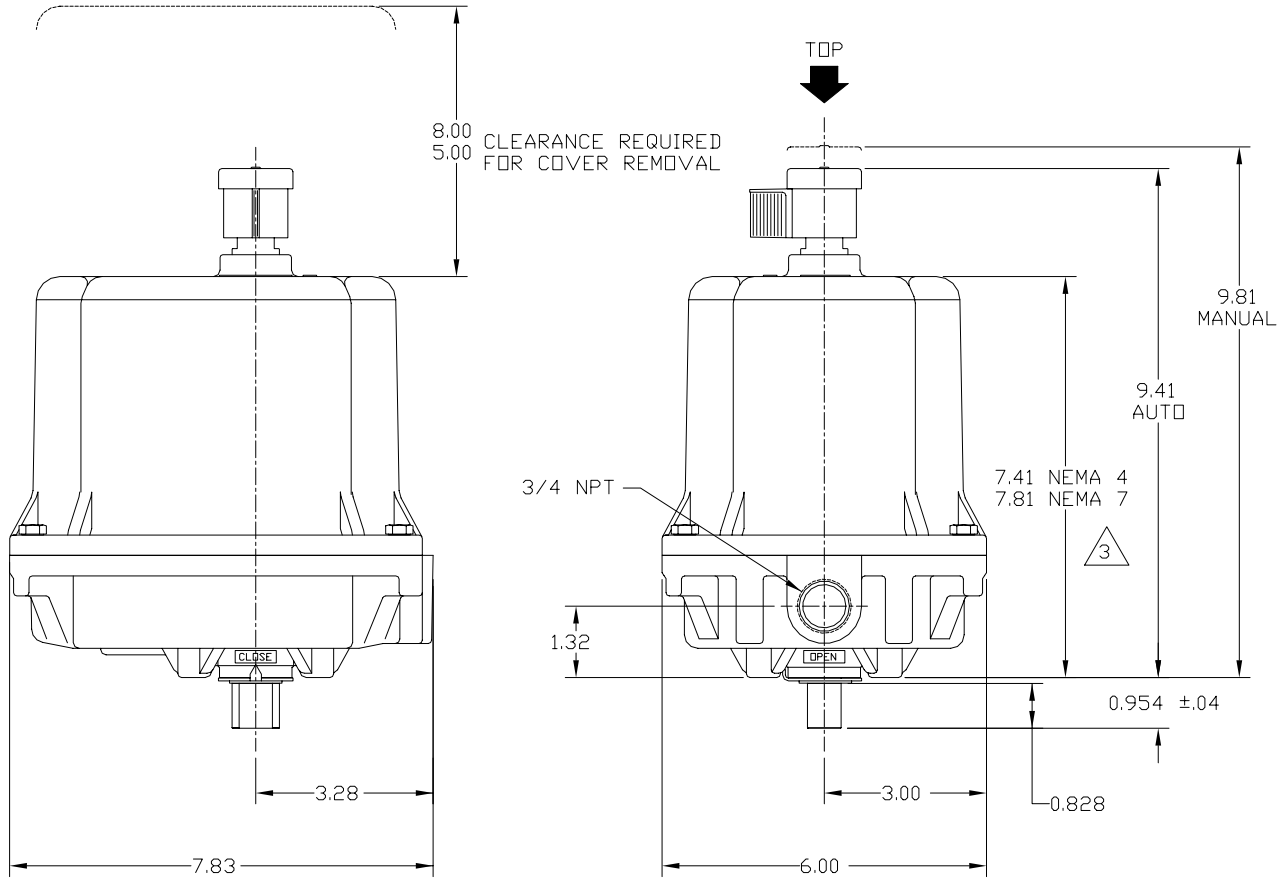
90-863



**Texsteam**  
HOUSTON, TEXAS

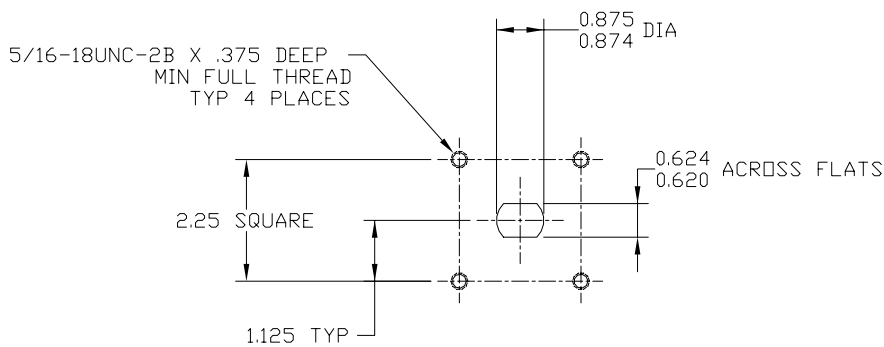
**DRESSER** VALVE DIVISION  
Dresser Equipment Group, Inc.  
a Halliburton Company

DRAWINGS, SPECIFICATIONS AND  
ENGINEERING DATA CONTAINED IN THIS  
DOCUMENT SUBJECT TO CHANGE WITHOUT  
NOTICE.



MOUNTING GEOMETRY -- BOTTOM VIEW

NOTES



1. DIRECTION OF ROTATION IS BASED ON VIEWING ACTUATOR FROM TOP.
2. DRAWING SHOWS ACTUATOR OUTPUT SHAFT IN A FULLY CLOCKWISE (CLOSED) POSITION.
3. NEMA 4 COVER SHOWN.
4. ACTUATOR SHOWN WITH HANDKNOB IN AUTO POSITION.