

MAR & DCR 100, 120, 160 & 250
OUTLINE DIMENSIONS

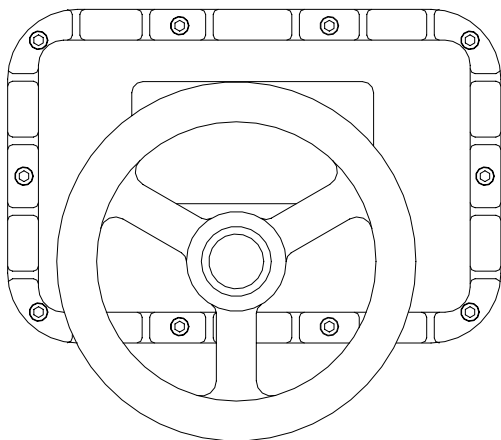
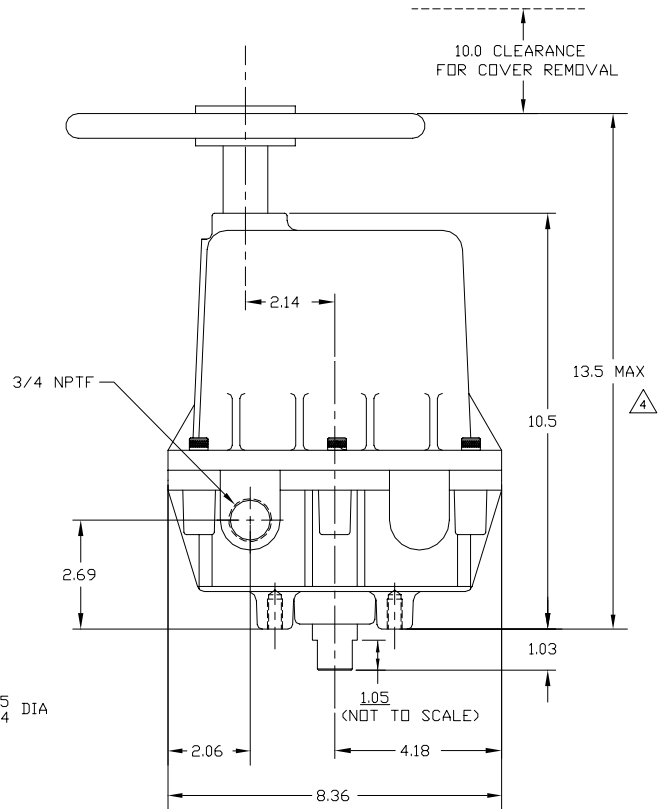
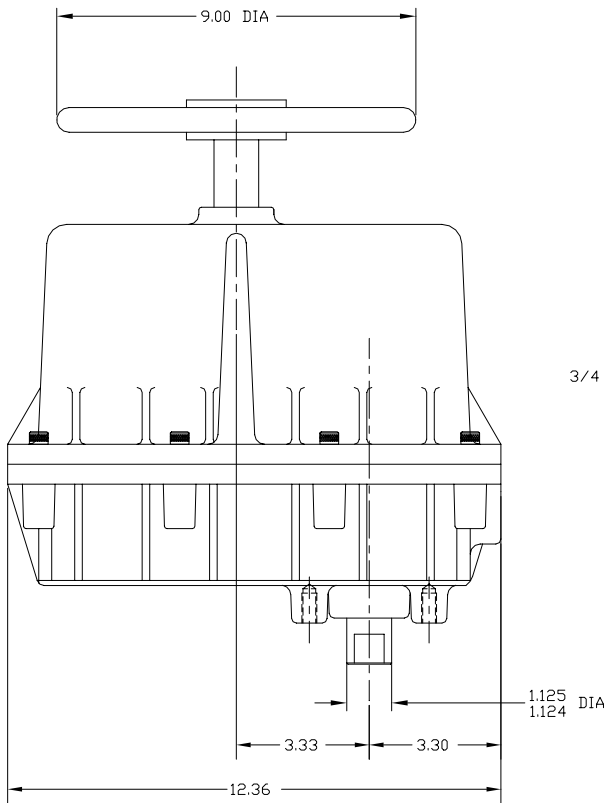
REV. DRAWING NUMBER
A 90-855



RCS Texsteam
HOUSTON, TEXAS



DRAWINGS, SPECIFICATIONS AND
ENGINEERING DATA CONTAINED IN THIS
DOCUMENT SUBJECT TO CHANGE WITHOUT
NOTICE.



NOTES

1. DRAWING SHOWS THE ACTUATOR OUTPUT SHAFT IN A FULLY CLOCKWISE (CLOSED) POSITION.
2. DIRECTION OF ACTUATOR ROTATION IS BASED ON THE TOP VIEW FROM THE HANDWHEEL.
3. A NEMA 4 CONTROL COVER IS SHOWN. DIMENSIONS GIVEN ARE ACCURATE FOR NEMA 7.

△ ACTUATOR IS SHOWN WITH HANDWHEEL IN AUTO POSITION. HEIGHT IS 13.0 WHEN MANUAL OVERRIDE IS USED.

MOUNTING GEOMETRY

