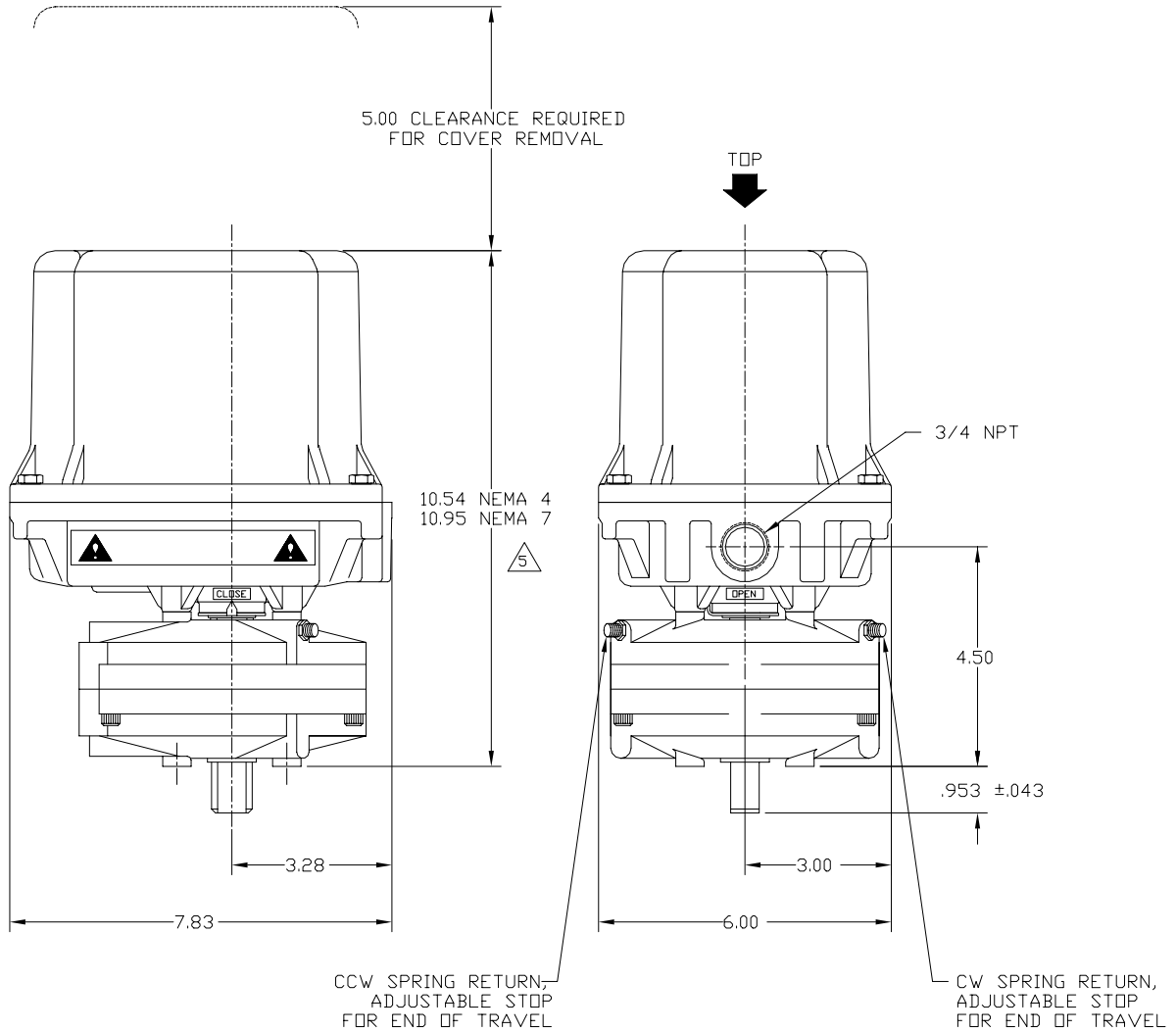


SURE 24
OUTLINE DIMENSIONS

REV. D DRAWING NUMBER
90-824

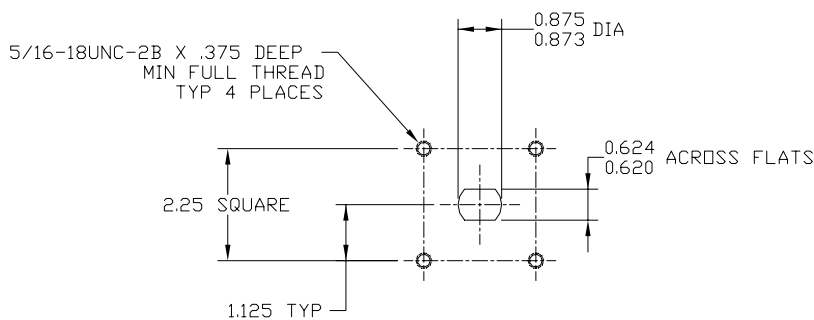


DRAWINGS, SPECIFICATIONS AND
ENGINEERING DATA CONTAINED IN THIS
DOCUMENT SUBJECT TO CHANGE WITHOUT
NOTICE.



MOUNTING GEOMETRY -- BOTTOM VIEW

NOTES



1. DIRECTION OF ROTATION IS BASED ON VIEWING ACTUATOR FROM TOP.
2. DRAWING SHOWS ACTUATOR OUTPUT SHAFT IN POWER FAIL CLOCKWISE POSITION.
3. STANDARD UNIT FAILS CLOCKWISE (CLOSED).
4. OPTIONAL UNIT FAILS COUNTER-CLOCKWISE (OPEN).

△ NEMA 4 COVER SHOWN.